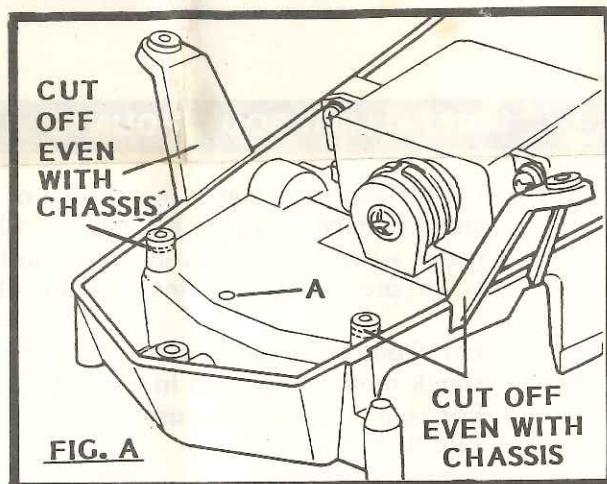


INSTRUCTIONS FOR PARMA GRASSHOPPER/HORNET MONSTER TRUCK CONVERSION KIT

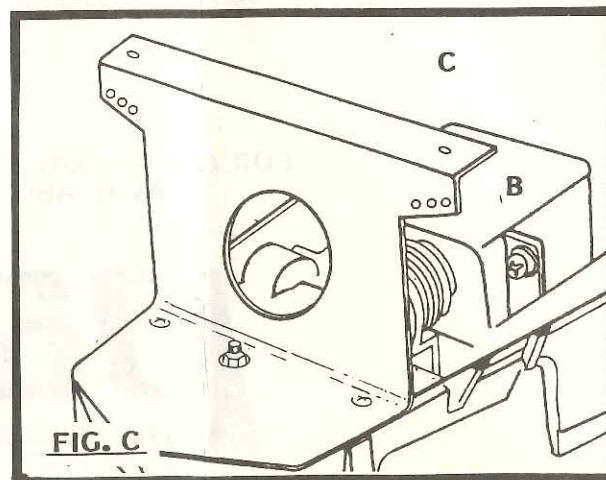
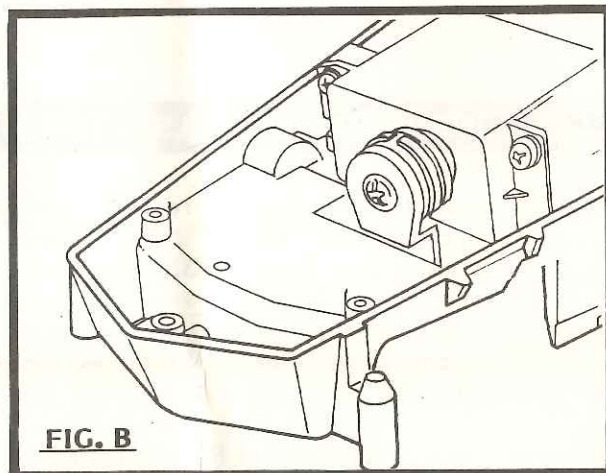
REMOVING ORIGINAL MOUNTS

- Step#1 Remove following parts from your car: body, front bumper, front body mount, all wheels and tires, plus lower front control arms.
- Step#2 With hobby saw or small hacksaw, cut off shock mounts even with chassis, and trim front body mounting bosses even with chassis as shown in Fig. 'A'. When completed it should look like Fig. 'B'.



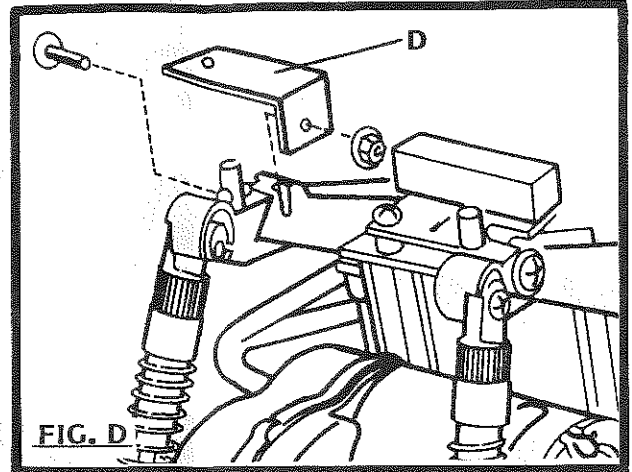
INSTALLING FRONT SHOCK MOUNT

- Step#3 Insert from bottom of chassis a 4/40 x 3/4" bolt through hole 'A' as shown in Fig. 'B', and secure with a 4/40 plastic nut.
- Step#4 Install new tall shock mount on 4/40 bolt as shown in Fig. 'C' and secure with 4/40 plastic locknut. Now install a 5/40 x 3/8" screw in one of the holes left in the base of the shock mount. Repeat for other side.
- Step#5 Install 4/40 x 3/4" bolt in one of the 3 holes in the top of the shock mount, hole 'B', as shown in Fig. C.
- Step#6 The choice of hole 'B' for the shock is determined by shock size. Once determined, secure with a 4/40 plastic locknut. Repeat for other side. Now reinstall lower control arms.



INSTALLING REAR SHOCK MOUNTS

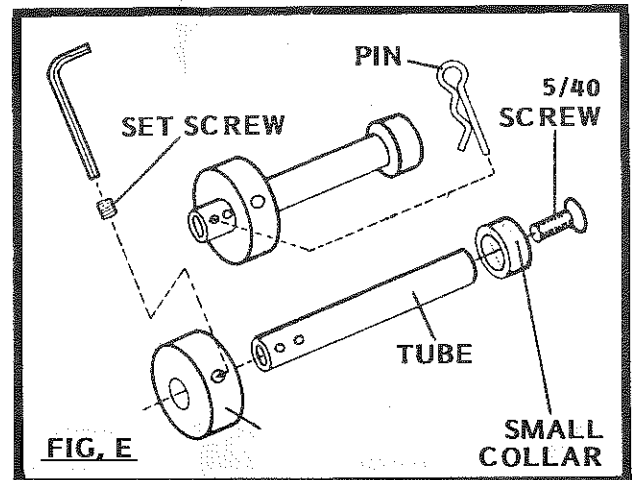
Step#7 Now move to the rear of the car. Remove top shock bolt. Take one of the 'L' shaped brackets and position as shown in Fig. 'D'. The bracket goes inside the rear shock mount as shown in Fig. 'D'. Tighten down and repeat for other side.



INSTALLING BODY MOUNTS

Step#8 Install your body post and choice of rear shocks. Parma Big Bore Shocks, #12602, work great with Hornet rear lower mounts. Below is a typical body post installation. (Fig. 'E')

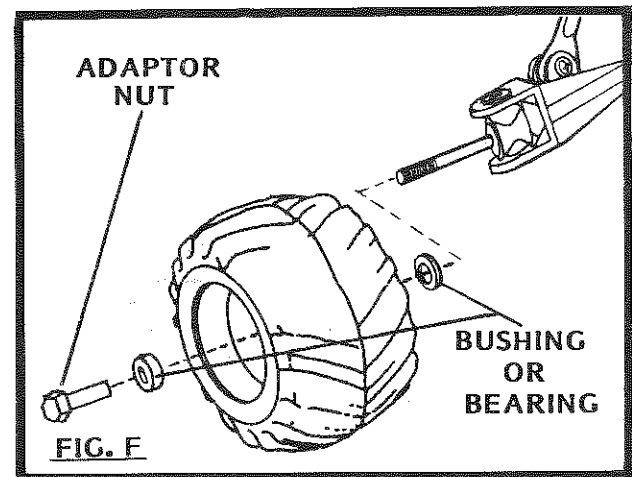
For front body mounts, use holes on top of shock mount as shown in Fig. 'C'. (Hole 'C')
For rear body mounts use hole 'D' as shown in Fig. 'D'.



INSTALLING WHEELS & TIRES

Step#9 Now fit wheels and tires. Use Parma #12040 - Front Wheels and Tires and #12041 - Rear Wheels and Tires, or Blackfoot or Lunchbox type tires. The back wheels bolt straight on. For the front wheels you will need to use the adaptors supplied in the kit as shown in Fig. 'F'.

Step#10 Now mount any of Parma 1/10 scale truck bodies and go have fun.



FOR A COMPLETE CATALOG OF BODIES AND ACCESSORIES
AVAILABLE FROM PARMA, SEND \$2.00 TO:

parma

INTERNATIONAL INC.

13927 Progress Parkway • North Royalton, Ohio 44133